

APPLICATION:

PRODUCT NAME:
DECK MOUNT CONTROL VALVE

JOB NAME:

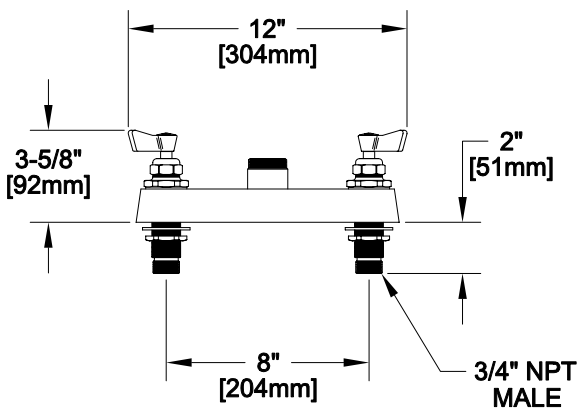
SPECIAL CONFIGURATION
 CHECK BASE MODEL AND OPTIONS

QUANTITY:

ITEM NO.

MODEL:
 5300

OPTIONS OR MODIFICATIONS:
 HANDLES (CROSS OR WRIST) CIRCLE STYLE
 VANDAL RESISTANT KIT
 OTHER _____



FEATURES

- CONTROL VALVE
- * 8" DECK MOUNT
 - * SWIVELLING SEAT DISKS
 - * HOT SIDE STEM - RIGHT HAND
 - * COLD SIDE STEM - LEFT HAND
 - * STAINLESS STEEL SEATS
 - * STAINLESS STEEL SEAT SCREWS
 - * STAINLESS STEEL HANDLE SCREWS

- SYSTEM LIMITS
- * TEMP: 40°F MIN. TO 140°F MAX.
 - * PRESSURE: 200 PSI MAX. STATIC
 - * 37 GPM AT 80 PSI

- SHIPPING WEIGHT
- * 6.0 LBS

ROUGH-IN:

